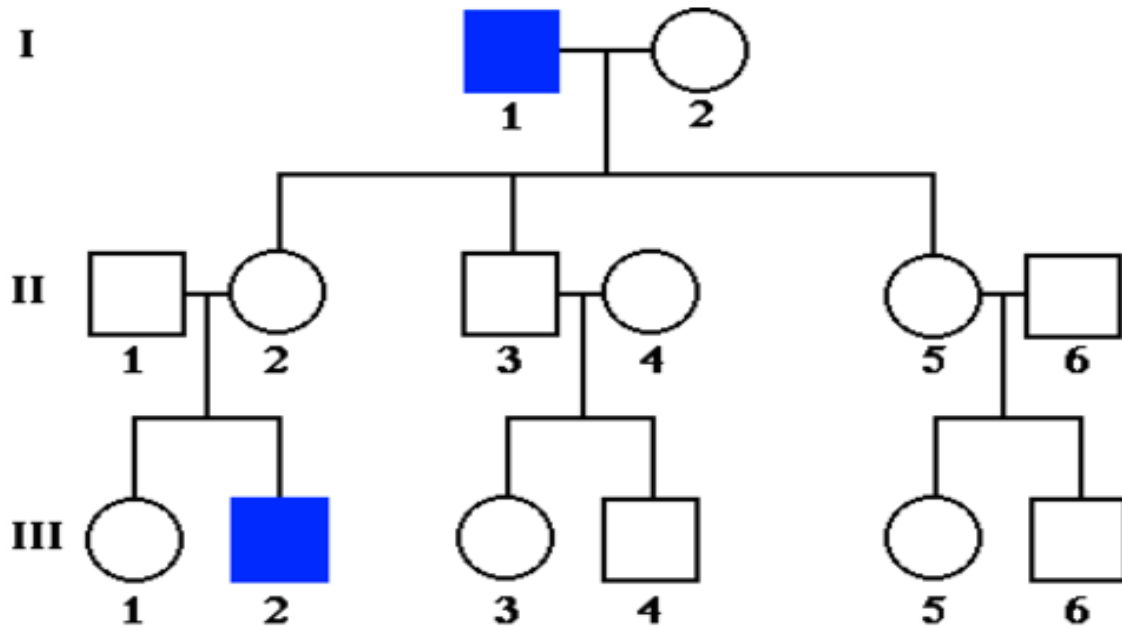


Name \_\_\_\_\_

Date \_\_\_\_\_

### PEDIGREE ANALYSIS REVIEW

1. A pedigree showing the inheritance of a rare disorder in humans is shown below.



- What is the inheritance pattern of the pedigree above?
- Which of the females is **least likely** to be a heterozygote for the gene?
- Which females are **more likely** to be carriers of the disorder?
- Write the genotypes of each member in the pedigree on the chart..