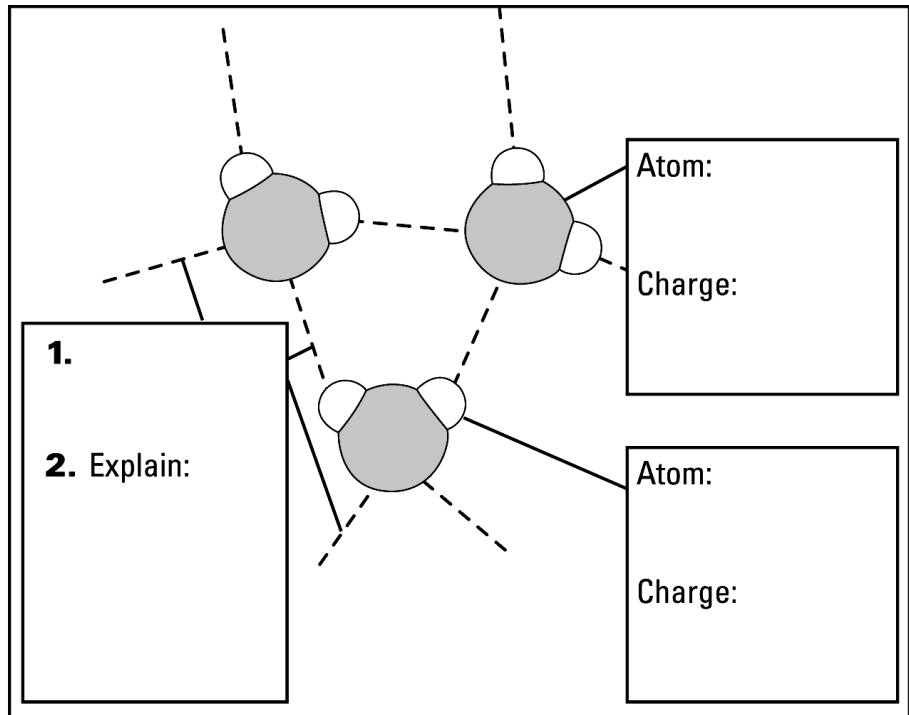


SECTION 2: PROPERTIES OF WATER - Power Notes

Polar molecules:

Nonpolar molecules:



Properties of water related to hydrogen bonds:

- 1.
- 2.
- 3.

Solutions:

Solvents:

Solutes:

Acids:

pH:

Neutral:

pH:

Bases:

pH: