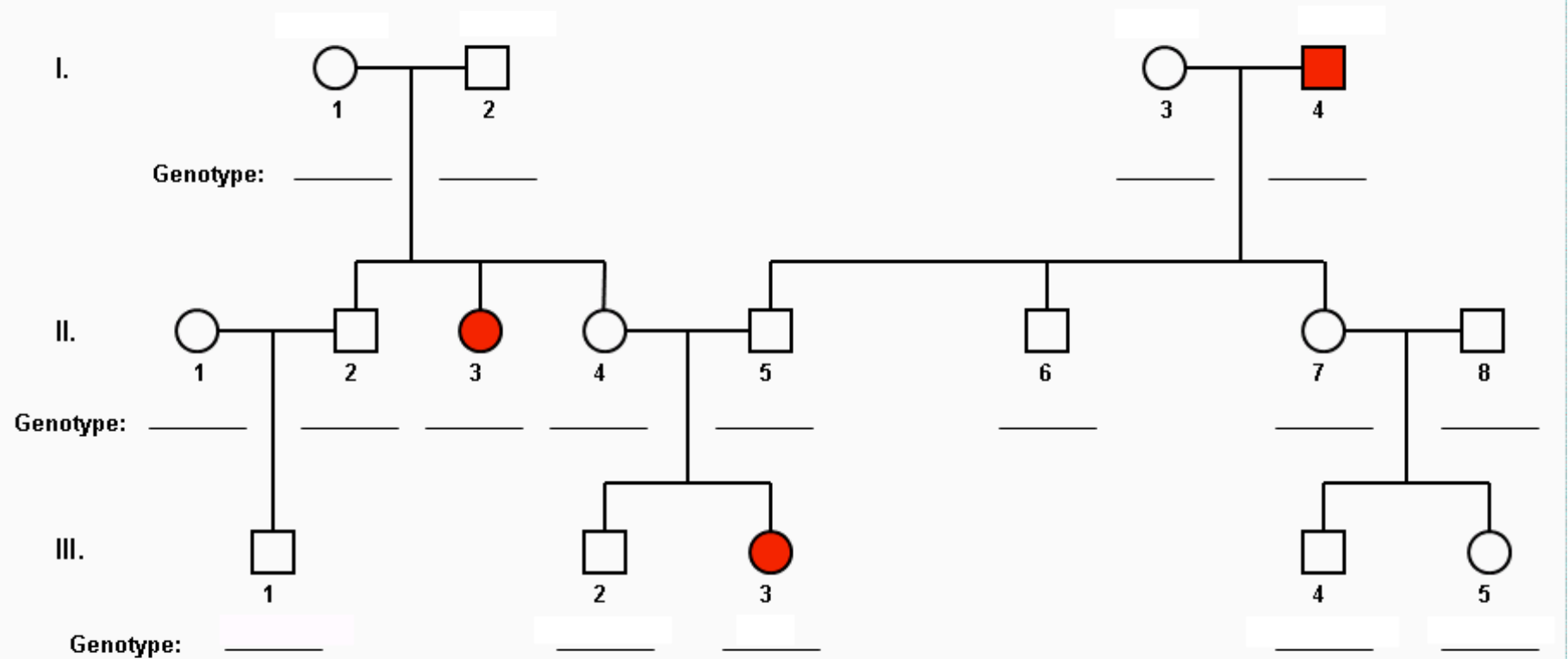


Hypothetical pedigree showing inheritance of the albino trait



Graphic©E.Schmid/2004

Red = family members with albinism